

SMALL ANIMAL WHOLE BODY COUNTER FOR LIVE ANIMALS

Model ~ LIVE-1

FEATURES:

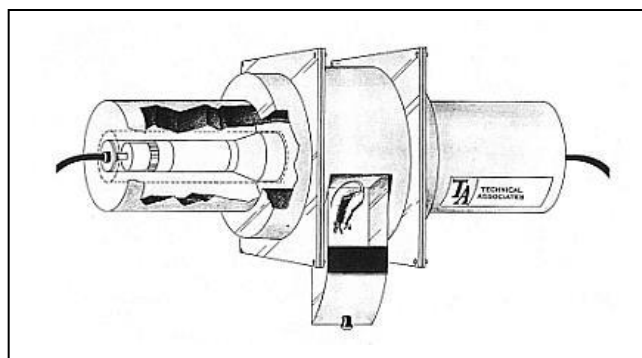
- SEES GAMMAS & HIGH ENERGY BETAS
- DUAL CHANNEL ANALYZER
- DUAL NaI DETECTORS
- REPEATABLE COUNTING GEOMETRY READINGS WITHOUT SACRIFICING THE ANIMAL.

ELECTRONICS: LAM-SCA-DSC

- VERSATILE AC & RECHARGEABLE BATTERY
- THREE PRESETTABLE WINDOW POSITIONS
- SWITCH SELECTABLE
- SIX DECADES
- DUAL SINGLE CHANNEL ANALYZER
- 2 INDEPENDENT DETECTOR INPUTS
- COINCIDENCE CIRCUIT SIGNALS IF BOTH DETECTORS SEE A PULSE AT THE SAME TIME
- **OPTIONAL:** LARGER ANIMAL CHAMBER



LIVE-1



LIVE-1 Schematic

APPLICATION:

Ideal for laboratory use.

Small live animals can be scanned, maintaining a repeatable counting geometry without harming the animal.

Description:

- 12" diameter cylinder with horizontal axis roughly 30" long, and mounted to a base.
- 6" dia x 6" long animal chamber with ventilation ports.
- A drawer in the side of shield provides a 4 3/4" x 4" opening to insert and remove the animal.
- Chamber has a removable stainless steel liner ease of cleaning,
- A removable grating is provided for the animal to stand on and for the droppings to fall through.



LAM-SCA-DSC



TECHNICAL ASSOCIATES

OVERHOFF TECHNOLOGY

7051 Eton Ave., Canoga Park, CA 91303
818-883-7043 (Phone) 818-883-6103 (Fax)

tagold@nwc.net

WWW.TECH-ASSOCIATES.COM

Divisions of



US NUCLEAR CORP

SMALL ANIMAL WHOLE BODY COUNTER FOR LIVE ANIMALS

Model ~ LIVE-1

COUNTING CHAMBERS

- The thin metal windows on the two detectors are protected by metal grills with a high percentage of open area.
- Each detector is surrounded by 2" of lead on all sides.
- Recessed protected detectors and to minimize effects of animal position on the count rate.

DETECTORS

- Two each 3" diameter x 1" thick NaI crystals with a thin window 0.020" (0.5mm) to accept low energy radiation such as that from I-125 as well as higher energies.
- Each detector is optically coupled via a light pipe to a high quality photomultiplier tube.
- Counting efficiencies excluding geometry are approximately:
 - Approx. 36% for Zn-65 at 1.1MeV X-rays.
 - Approx. 36% for Fe-59 at 1.1 & 1.3MeV Gammas.
 - Approx. 85% for Tc-99m at 0.14MeV Gammas.

ELECTRONICS: LAM-SCA-DSC

- Precision automatic lab scaler incorporating a dual single channel analyzer keeps background count rate low.
- The dual single channel analyzer also allows the count of one isotope to the exclusion of another.

OPTIONS: (Available upon Request)

- Larger animal chamber and loading port available upon request.
- Other window material and thicknesses.
- Thinner or thicker lead (Pb) shield.



TECHNICAL ASSOCIATES

Divisions of



US NUCLEAR CORP

OVERHOFF TECHNOLOGY

7051 Eton Ave., Canoga Park, CA 91303
818-883-7043 (Phone) 818-883-6103 (Fax)

tagold@nwc.net

WWW.TECH-ASSOCIATES.COM