

# NOBLE GAS AIR/STACK MONITOR OR LEAK DETECTOR ARGON – XENON - KRYPTON

Model Series - FM-9NGAS-

FM-9XE-NG ~ FM-9NGAS-2 ~ FM-9NGAS-3 ~ FM-9NGAS-6S

FM-9XE-NGL (Leak Detector)

## FEATURES:

- DIGITAL NOBLE GAS MONITOR
- BENCH TOP OR CART MOUNTED
- SIX-DIGIT READOUT
- AIRBORNE CONCENTRATION & TOTAL DOSE IN Bq/l OR IN MPC (OR ANY UNITS)
- USER FRIENDLY
- SETTABLE ALARMS
- COMPUTER INTERFACE USB OR ETHERNET
- DATA ARCHIVE & DATA RETRIEVAL
- GM PROBE OR SCINTILLATION PROBE FOR LOW LEVELS
- LEAK DETECTOR - **FM-9XE-NGL**
- CART MOUNTED - **FM-9XE-NGL**



**ELECTRONICS**  
**FM-9NGAS-2, FM-9NGAS-3, FM-9NGAS-6S**



**FM-9XE-NG**  
**FLOW CELL & DETECTOR ASSEMBLY**

**ELECTRONICS ~ FM-9XE-NG & FM-9XE-NGL**

## APPLICATION

The **FM-9NGAS** Monitor is fast becoming the first choice for Noble Gas measurement in facilities all over the world.

- Air, Stack, Room, Leak
- Industrial Uses
- Nuclear Power Plants
- Laboratories



**TECHNICAL ASSOCIATES**

Divisions of



US NUCLEAR CORP

**OVERHOFF TECHNOLOGY**

**OTCQB- UCLE**

7051 Eton Ave., Canoga Park, CA 91303  
818-883-7043 (Phone) 818-883-6103

[sales@tech-associates.com](mailto:sales@tech-associates.com)

[WWW.TECH-ASSOCIATES.COM](http://WWW.TECH-ASSOCIATES.COM)

# NOBLE GAS AIR/STACK MONITOR OR LEAK DETECTOR ARGON – XENON - KRYPTON

Model Series - FM-9NGAS-

FM-9XE-NG ~ FM-9NGAS-2 ~ FM-9NGAS-3 ~ FM-9NGAS-6S

FM-9XE-NGL (Leak Detector)

## DESCRIPTION:

The **FM-9NGAS** series Noble Gas Monitors determines Noble gas content of air by drawing the air through a gas chamber which is under constant surveillance by a radiation detector.

A six-foot outlet and inlet hose draws air from the use area, duct, stack, glove box, hood or filter trap and a wand is used with the FM-9XE-NGL Leak Detector.

All data is recorded on internal memory. Data archive and retrieval is available via USB or Ethernet Port.

An alarm is both visual and audio with a red flashing light and/or 2,000 Hz (beep) should the preset level be exceeded.

DESCRIPTION	FM-9NGAS ~ SERIES
Read Out (Units)	Bq/m <sup>3</sup> , uCi/cc, DAC, or Bq/L
Measures	Airborne Concentration
Hardware	<ul style="list-style-type: none"> <li>❖ Calculations by Imbedded Processor</li> <li>❖ On Board Data Logger</li> </ul>
Available Options	Electronic Mass Flowmeter

- Low Level Model FM-9NGAS-6S Scintillator:  $1 \times 10^4 - 1 \times 10^8$  Bq/m<sup>3</sup>

## SPECIFICATIONS:

Sensitivity in the case of elevated background.

Count Time	N <sup>16</sup> Background	MDA FM-9NGAS-2 Ar <sup>41</sup> Concentration	MDA FM-9NGAS-3 Ar <sup>41</sup> Concentration
20 min.	2mR/hr	$1 \times 10^{-7}$ μCi/ml	$5 \times 10^{-8}$ μCi/ml
33 min.	4mR/hr	$1 \times 10^{-7}$ μCi/ml	$5 \times 10^{-8}$ μCi/ml
70 min.	8mR/hr	$1 \times 10^{-7}$ μCi/ml	$5 \times 10^{-8}$ μCi/ml
30 min.	0.01mR/hr	$1 \times 10^{-8}$ μCi/ml	$5 \times 10^{-9}$ μCi/ml
8 hr..	2mR/hr	$2 \times 10^{-8}$ μCi/ml	$1 \times 10^{-8}$ μCi/ml



TECHNICAL ASSOCIATES

Divisions of



US NUCLEAR CORP

OVERHOFF TECHNOLOGY

OTCQB- UCLE

7051 Eton Ave., Canoga Park, CA 91303  
818-883-7043 (Phone) 818-883-6103

[sales@tech-associates.com](mailto:sales@tech-associates.com)

[WWW.TECH-ASSOCIATES.COM](http://WWW.TECH-ASSOCIATES.COM)

# NOBLE GAS AIR/STACK MONITOR OR LEAK DETECTOR ARGON – XENON - KRYPTON

Model Series - FM-9NGAS-  
FM-9XE-NG ~ FM-9NGAS-2 ~ FM-9NGAS-3 ~ FM-9NGAS-6S  
FM-9XE-NGL (Leak Detector)

RANGE OF FM-9NGAS-6S	
$10^4 - 1 \times 10^8 \text{ Bq/m}^3$	$3 \times 10^{-8} - 3 \times 10^{-4} \text{ } \mu\text{Ci/mL}$

	FM-9XE-NG  FM-9XE-NGL (LEAK DETECTOR)	FM-9NGAS-2	FM-9NGAS-3	FM-9NGAS-6
<b>Chamber Volume</b>	300cc	1 liter	1 liter	600 cc
<b>Main Detector</b>	(1) 2" dia T-1190 GM	(1) 2" dia T-1190 GM	(2) 2" dia T-1190 GM (3) 2" dia T-1190 GM (OPTIONAL)	(2) 6" x 6" Organic Scintillator Sheets
<b>Shielding</b>	3/8"	1.0"	3.0"	3/8" or 3/4"
<b>Background Subtract</b>	Electronic	Electronic	Real-Time 2" dia T-1190 GM	Electronic
<b>Weight</b>	<b>Pounds (kg)</b>	<b>Pounds</b>	<b>Pounds</b>	<b>Pounds</b>
<b>Electronics</b>	12 (5.4 kg)	12 (5.4 kg)	12 (5.4 kg)	12 (5.4 kg)
<b>Pump</b>	7 (3.1kg)	14 (6.3 kg)	14 (6.3 kg)	14 (6.3 kg)
<b>Detector Shield</b>	22 (9.9 kg)	200 (90.7 kg)	590 (267.6 kg)	90 (40.8 kg) or 150 (68 kg)



**TECHNICAL ASSOCIATES**

Divisions of



US NUCLEAR CORP

**OVERHOFF TECHNOLOGY**

**OTCQB- UCLE**

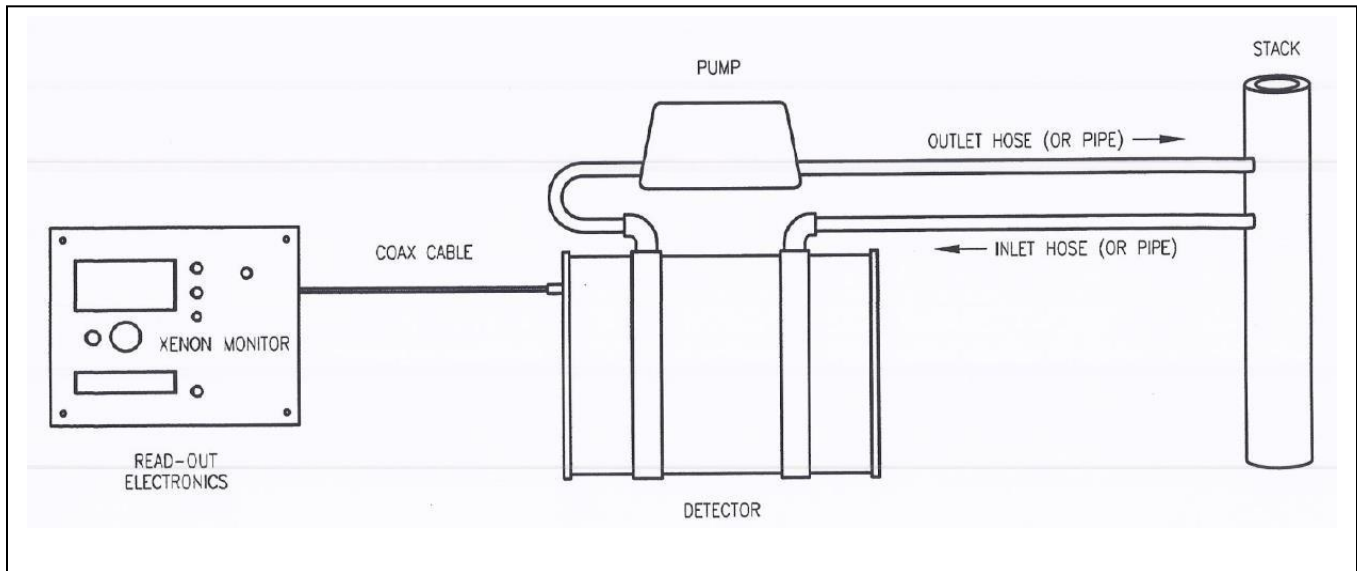
7051 Eton Ave., Canoga Park, CA 91303  
818-883-7043 (Phone) 818-883-6103

[sales@tech-associates.com](mailto:sales@tech-associates.com)

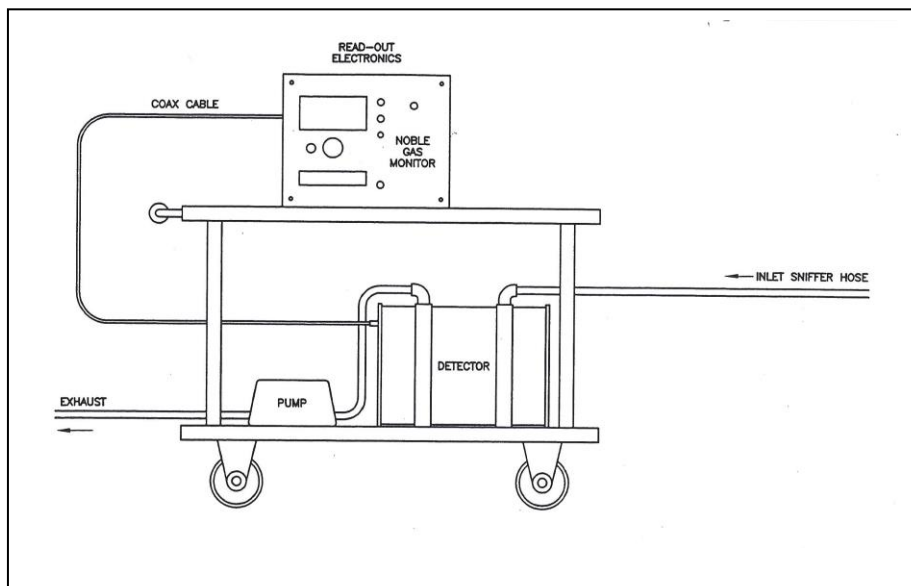
[WWW.TECH-ASSOCIATES.COM](http://WWW.TECH-ASSOCIATES.COM)

# NOBLE GAS AIR/STACK MONITOR OR LEAK DETECTOR ARGON – XENON - KRYPTON

Model Series - FM-9NGAS-  
FM-9XE-NG ~ FM-9NGAS-2 ~ FM-9NGAS-3 ~ FM-9NGAS-6S  
FM-9XE-NGL (Leak Detector)



**FM-9NGAS SYSTEM OVERVIEW**



**FM-9XE-NGL LEAK DETECTOR OVERVIEW**

**FM-9NGAS - ULTRA LOW NOISE PUMP  
Green Turtle Pump**



**TECHNICAL ASSOCIATES**  
**OVERHOFF TECHNOLOGY**

Divisions of



US NUCLEAR CORP

**OTCQB- UCLE**

7051 Eton Ave., Canoga Park, CA 91303  
818-883-7043 (Phone) 818-883-6103

[sales@tech-associates.com](mailto:sales@tech-associates.com)

[WWW.TECH-ASSOCIATES.COM](http://WWW.TECH-ASSOCIATES.COM)