

NOBLE GAS AIR/STACK MONITOR ARGON – XENON - KRYPTON

Model Series - FM-9NGAS-

FM-9XE-NG ~ FM-9NGAS-2 ~ FM-9NGAS-3 ~ FM-9NGAS-6

FEATURES:

- DIGITAL XENON MONITOR
- SIX-DIGIT READOUT
- AIRBORNE CONCENTRATION & TOTAL DOSE IN Bq/l OR IN MPC (OR ANY UNITS)
- USER FRIENDLY
- SETTABLE ALARMS
- COMPUTER INTERFACE USB OR ETHERNET
- DATA LOGGER BUILT-IN



FM-9NGAS-2, FM-9NGAS-3, FM-9NGAS-6



FM-9XE-NG



FM-9XE-NG INTERIOR

APPLICATION:

The **FM-9XE-NG** Monitor is fast becoming the first choice for Noble Gas measurement in facilities all over the world.



**TECHNICAL ASSOCIATES
OVERHOFF TECHNOLOGY**

7051 Eton Ave., Canoga Park, CA 91303
818-883-7043 (Phone) 818-883-6103 (Fax)

tagold@nwc.net

WWW.TECH-ASSOCIATES.COM

Divisions of  US NUCLEAR CORP

NOBLE GAS AIR/STACK MONITOR ARGON – XENON - KRYPTON

Model Series - FM-9NGAS-

FM-9XE-NG ~ FM-9NGAS-2 ~ FM-9NGAS-3 ~ FM-9NGAS-6

DESCRIPTION:

The **FM-9NGAS** series Noble Gas Monitors determines Noble gas content of air by drawing the air through a gas chamber which is under constant surveillance by a radiation detector.

A six foot outlet and inlet hose draws air from the use area, duct, stack, glove box, hood or filter trap.

All data is recorded on internal memory. A permanent record is available with an **optional** CD/DVD writer or digital printer with date & time stamp.

An alarm is both visual and audio with a red flashing light and/or 2,000 Hz (beep) should the preset level be exceeded.

DESCRIPTION	FM-9NGAS ~ SERIES
Read Out (Units)	Bq/m3, uCi/cc, or DAC
Measures	Airborne Concentration
Hardware	❖ Calculations by Imbedded Processor ❖ On Board Data Logger
Available Options	Electronic Mass Flowmeter

SPECIFICATIONS:

Sensitivity in the case of elevated background.

Count Time	N ¹⁶ Background	MDA FM-9NGAS-2 Ar ⁴¹ Concentration	MDA FM-9NGAS-3 Ar ⁴¹ Concentration	MDA FM-9NGAS-6 Ar ⁴¹ Concentration
20 min.	2mR/hr	1 x 10 ⁻⁷ µCi/ml	5 x 10 ⁻⁸ µCi/ml	2 x 10 ⁻⁸ µCi/ml
33 min.	4mR/hr	1 x 10 ⁻⁷ µCi/ml	5 x 10 ⁻⁸ µCi/ml	2 x 10 ⁻⁸ µCi/ml
70 min.	8mR/hr	1 x 10 ⁻⁷ µCi/ml	5 x 10 ⁻⁸ µCi/ml	2 x 10 ⁻⁸ µCi/ml
30 min.	0.01mR/hr	1 x 10 ⁻⁸ µCi/ml	5 x 10 ⁻⁹ µCi/ml	2 x 10 ⁻⁹ µCi/ml
8 hr..	2mR/hr	2 x 10 ⁻⁸ µCi/ml	1 x 10 ⁻⁸ µCi/ml	5 x 10 ⁻⁹ µCi/ml



**TECHNICAL ASSOCIATES
OVERHOFF TECHNOLOGY**

7051 Eton Ave., Canoga Park, CA 91303
818-883-7043 (Phone) 818-883-6103 (Fax)

tagold@nwc.net

WWW.TECH-ASSOCIATES.COM

Divisions of  US NUCLEAR CORP

NOBLE GAS AIR/STACK MONITOR ARGON – XENON - KRYPTON

Model Series - FM-9NGAS-

FM-9XE-NG ~ FM-9NGAS-2 ~ FM-9NGAS-3 ~ FM-9NGAS-6

NOBLE GAS COMPARISON

	FM-9XE-NG	FM-9NGAS-2	FM-9NGAS-3	FM-9NGAS-6
Chamber Volume	300 cc	1 liter	1 liter	2 liters
Main Detector	(1) 2" dia T-1190 GM	(1) 2" dia T-1190 GM	(2) 2" dia T-1190 GM STANDARD (3) 2" dia T-1190 GM OPTIONAL	(6) 2" dia T-1190 GM
Shielding	3/8"	1.0"	3.0"	3/8"
Background Subtract Detector	Electronic	Electronic	Real Time 2" dia T-1190 GM	Electronic
Weight (lbs)	Pounds	Pounds	Pounds	Pounds
Electronics	12	12	12	12
Pump	7	14	14	14
Detector Shield	22	200	590	90



**TECHNICAL ASSOCIATES
OVERHOFF TECHNOLOGY**

7051 Eton Ave., Canoga Park, CA 91303
818-883-7043 (Phone) 818-883-6103 (Fax)

tagold@nwc.net

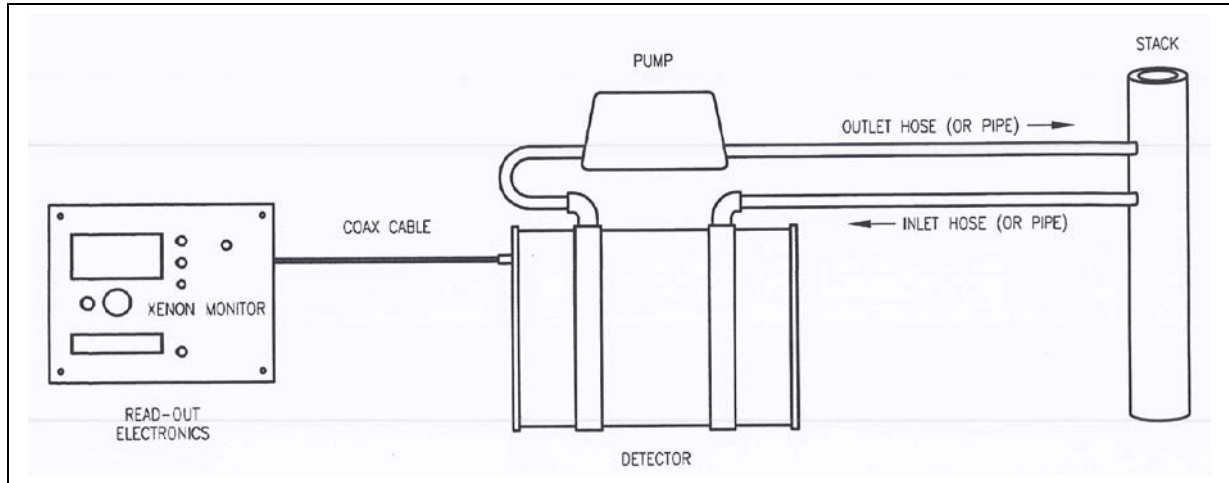
WWW.TECH-ASSOCIATES.COM

Divisions of  US NUCLEAR CORP

NOBLE GAS AIR/STACK MONITOR ARGON – XENON - KRYPTON

Model Series - FM-9NGAS-

FM-9XE-NG ~ FM-9NGAS-2 ~ FM-9NGAS-3 ~ FM-9NGAS-6



FM-9NGAS SYSTEM OVERVIEW



FM-9NGAS - ULTRA LOW NOISE PUMP

Green Turtle Pump



**TECHNICAL ASSOCIATES
OVERHOFF TECHNOLOGY**

7051 Eton Ave., Canoga Park, CA 91303
818-883-7043 (Phone) 818-883-6103 (Fax)

tagold@nwc.net

WWW.TECH-ASSOCIATES.COM

Divisions of  US NUCLEAR CORP