

# HIGH PRESSURE SPHERICAL GAMMA IONIZATION CHAMBER

Model # IC-512

## FEATURES:

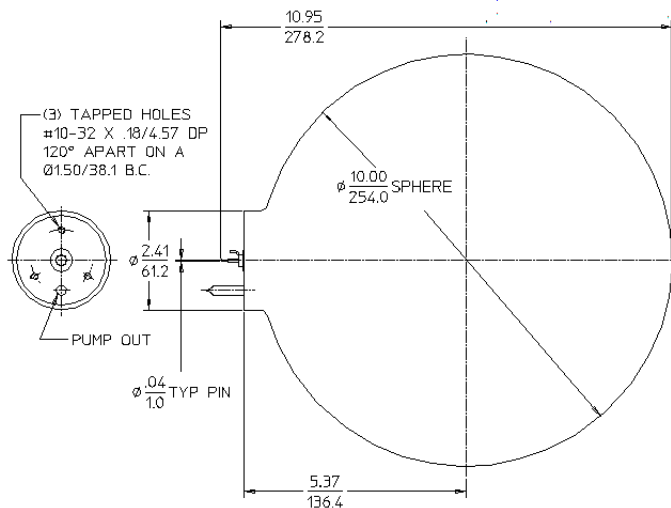
- COUPLES WITH TA'S FIL-7DP
- FOR USE IN ENVIRONMENTAL MONITORING STATIONS (RSS-131)

## GENERAL SPECIFICATIONS:

Maximum Diameter:	10.0 / 254.0 (inch/mm).
Maximum Length:	11.25 / 285.75 (inch/mm).
Effective Length:	9.76 / 247.9 (inch/mm) .
Cathode Material:	Stainless Steel.
Fill Gas:	Argon.
Fill Pressure:	20,460 (Torr).
Anode Connector:	Pin.
Cathode Connector:	N/A.
Guard Connector:	Solder Lug.
Effective Volume:	8000 (cm <sup>3</sup> ).

## OPERATING CHARACTERISTICS:

Maximum Operating Voltage:	(volts) 1000.
Operating Temperature:	Range (°C) -50 to +100.
Gamma Sensitivity:	2.7E-14 (A/R/Hr - Co <sup>60</sup> ).
Resistance Signal Electrode:	to Shell (ohms) >1.0E13.
Resistance HV Electrode:	to Shell (ohms) >1.0E10.



TA

TECHNICAL ASSOCIATES

7051 ETON AVENUE \* CANOGA PARK, CA 91303 TELEPHONE (818) 883-7043 \* FAX(818) 883-6103

\$Revision: 1.2 \$