

## ARGON/NOBLE GAS MONITOR

Model # FM-7XE-M2  
FM-7XE-M3

### FEATURES:

- NEW, IMPROVED DIGITAL MONITOR  
USER FRIENDLY  
SIX-DIGIT READOUT
- MEASURES: Ar, Kr, Xe, Rn
- AIRBORNE CONCENTRATION & TOTAL DOSE  
IN MPC (OR ANY UNITS)
- ADJUSTABLE AIR FLOW
- SETTABLE ALARM
- RS-232 COMPUTER AND/OR DATA LOGGER  
INTERFACE
- OPTIONAL PRINTER FOR HARD COPY



**APPLICATION:** The **FM-7XE-M2 & M3** Monitor is fast becoming the first choice for Noble Gas users in facilities all over the world.

**DESCRIPTION:** Model **FM-7XE-M2 & M3** Argon/Noble Gas Monitor determines Argon and Noble Gas content of air by drawing the air through a gas chamber which is under constant surveillance by a radiation detector. It is normally supplied with a six foot outlet and inlet hose so that it may draw air from the use area, duct, etc. In addition to showing the xenon content on the digital meter, it furnishes permanent record in the form of an **optional** digital printer with date & time stamp. An alarm is included which produces a red flashing light and/or 2,000 Hz (beep) should the preset level be exceeded.

### SPECIFICATIONS:

#### Sensitivity:

Count Time	N <sup>16</sup> Background	FM-7XE-M2 Ar <sup>41</sup> MDA Concentration	FM-7XE-M3 Ar <sup>41</sup> MDA Concentration
20 min.	•2mR/hr	•1 x 10 <sup>-7</sup> µCi/cc	•5 x 10 <sup>-8</sup> µCi/cc
33 min.	•4mR/hr	•1 x 10 <sup>-7</sup> µCi/cc	•5 x 10 <sup>-8</sup> µCi/cc
70 min.	•8mR/hr	•1 x 10 <sup>-7</sup> µCi/cc	•5 x 10 <sup>-8</sup> µCi/cc
30 min.	•0.01mR/hr	•1 x 10 <sup>-8</sup> µCi/cc	•5 x 10 <sup>-9</sup> µCi/cc
8 hr.	•2mR/hr	•2 x 10 <sup>-8</sup> µCi/cc	•1 x 10 <sup>-8</sup> µCi/cc

**TA** TECHNICAL ASSOCIATES

7051 ETON AVENUE, CANOGA PARK, CA 91303  
TELEPHONE: (818)-883-7043 FAX: (818) 883-6103  
e-mail: [tagold@nwc.net](mailto:tagold@nwc.net) www.tech-associates.com

## ARGON/NOBLE GAS MONITOR

Model # FM-7XE-M2

FM-7XE-M3

### SPECIFICATIONS (Continued):

- Range:** 4 decades.
- Detection:** One Liter Gas chamber with 2" pancake GM detector (T-1190).
- Flow Rate:** Adjustable - pump is 1/2 cfm nominal.
- Prefilter:** Used to remove particulates.
- Case:** Electronics housed in enameled aluminum case; 11" x 11" x 11".
- Display:** Bright six digit LED display.
- Air Pump:** Vane type oil-less; (6" x 6" x 10") Long life, low noise, linear pump.
- Alarm:** Audible: 2000 Hz beeper  
Visual: red flasher settable at any point on scale.
- Power:** 115V, 60 Hz. **Optional** 230V, 50 Hz.
- Weight:** Electronics 12 lbs., Shielded Detector 540 lbs., Pump 7 lbs.
- Shipping Weight:** 640 lbs.

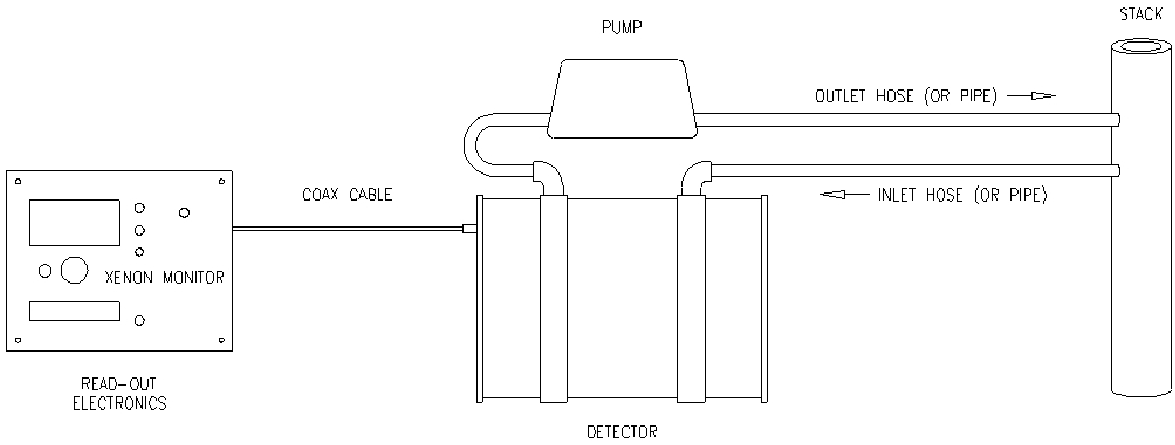
## XENON Monitor Comparison

	FM-7XE	FM-7XE-2	FM-7XE-3
Chamber Volume	300 cc	1 liter	1 liter
Main Detector	2" dia T-1190 GM	2" dia T-1190 GM	2" dia T-1190 GM
Shielding	3/8"	3/8"	3.0"
Background Subtract Detector	N/A	N/A	Duplicate 2" dia T-1190 GM
Weights (lbs)			
Electronics	12	12	12
Pump	7	14	14
Detector Shield	22		540

**TA** TECHNICAL ASSOCIATES

7051 ETON AVENUE, CANOGA PARK, CA 91303  
 TELEPHONE: (818)-883-7043    FAX: (818) 883-6103  
 e-mail: [tagold@nwc.net](mailto:tagold@nwc.net)    www.tech-as-associates.com

**ARGON/NOBLE GAS MONITOR**  
Model # FM-7XE-M2  
FM-7XE-M3



FM-7XE2  
FM-7XE3